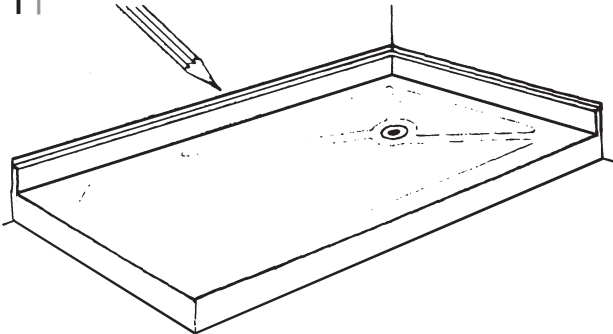


# SHOWER TRAY STEP-IN TRAY FITTING INSTRUCTIONS FOR SOLID AND WOODEN FLOOR INSTALLATION

**IMPORTANT:** Protect shower base from scuffing by using cardboard packaging.

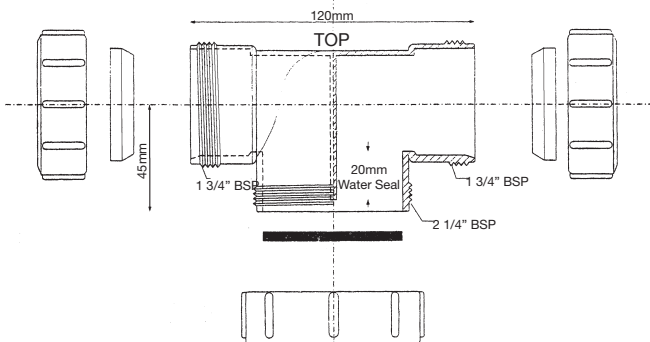
**NOTE:** This tray type sits on existing floor and requires no excavating.

| 1 |



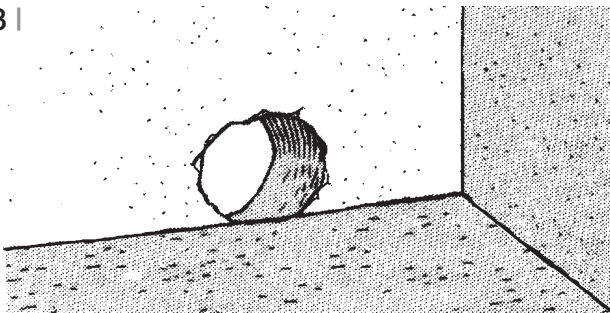
| 1 | Place the shower tray in position and mark along the upper edges of the tiling lip on the plaster face. If an anti-slip floor covering is to be used make an allowance for the thickness of the floor covering under both open edges of the tray. If not, sit both open edges directly on to the floor. Take the shower tray from the wall and remove the plaster below the mark to a depth suitable to take the tiling lip.

| 2 |



| 2 | When fitting to waste pipe assemble trap as shown in diagram.

| 3 |



| 3 | Decide on direction of waste outlet and break-out wall if required.

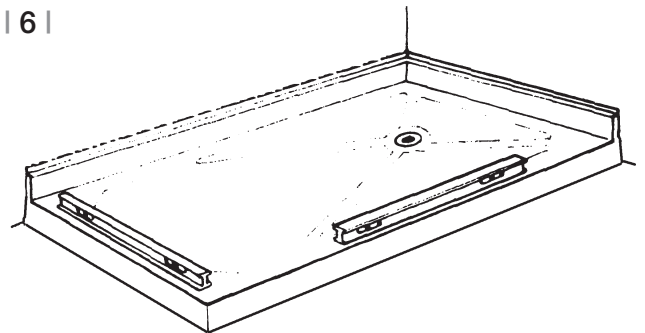
| 4 |

If an anti-slip floor covering is to be used it can be installed before the tray is fitted. Alternatively, it can be installed after the tray is fitted. Apply silicone sealant to both open edges.

| 5 |

When placing tray into position make sure the outlet pipe fits neatly into the shower trap.

| 6 |



| 6 |

Ensure silicone sealant is applied between the top edge of tiling lip and wall to provide a watertight seal. It is important the shower tray is level, check the flat surface around the shower area. These should be level regardless of existing floor levels. Drill tiling lip and screw to wall making sure the upstands are at right angles to the tray base.

| 7 |

Make good any plaster work prior to tiling.

| 8 |

**NOTE:** When fitting anti-slip floor covering after the tray has been fitted apply silicone sealant to seal both open edges.