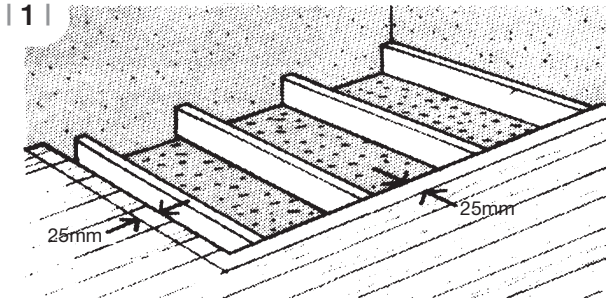
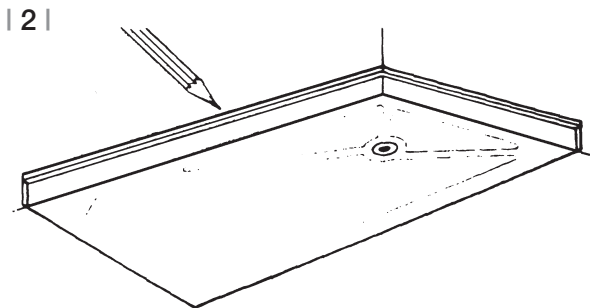


SHOWER TRAY LEVEL ACCESS TRAY FITTING INSTRUCTIONS FOR WOODEN FLOOR INSTALLATION

IMPORTANT: Protect shower base from scuffing by using cardboard packaging.



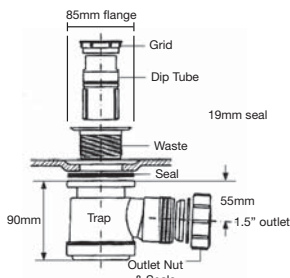
- 1 |** Mark out width of the tray making sure both open edges (25mm) sit on the existing floor and cut out floor boards. Before trimming any obstructions such as floor joists ensure the tray sits flat in the space provided. If an anti-slip floor covering is to be used make an allowance for the thickness.



- 2 |** Place the shower tray in position and mark along the upper edges of the tiling lip on the plaster face. If an anti-slip floor covering is to be used make an allowance for the thickness of the floor covering under both open edges of the tray. If not, sit both open edges directly on to the floor. Take the shower tray from the wall and remove the plaster below the mark to a depth suitable to take the tiling lip.

3 | SHOWER TRAP WITH REMOVABLE WASTE

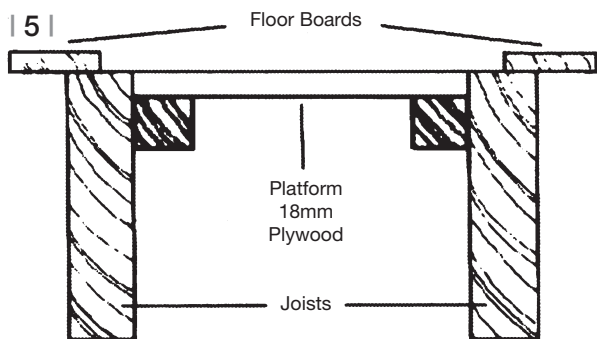
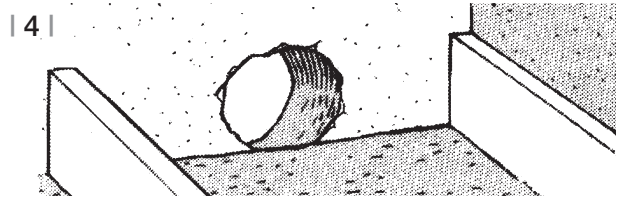
Supplied as standard with all shower trays



Resealing anti-siphon traps with either a 50mm or 80mm water seal can be supplied if required

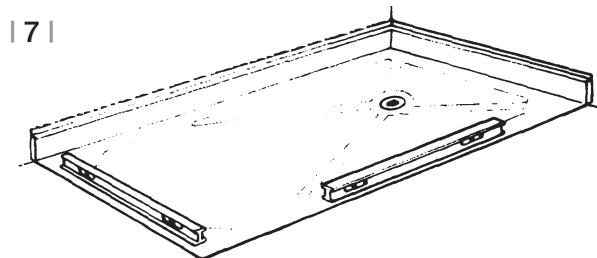
When fitting to tray assemble trap as shown in diagram making sure to coat trap body and under shower base with neutral silicon sealant above and below flat rubber seal.

- 4 |** Decide on direction of waste outlet and break out wall if required, allowing the waste pipe to connect to the out flow drain.



- 5 |** **IMPORTANT:** Form a platform between the joists with 18mm plywood to give extra support to the shower tray.

- 6 |** If an anti-slip floor covering is to be used it can be installed before the tray is fitted. Alternatively, it can be installed after the tray is fitted. Before bedding tray into position spray expanding foam onto the platform to fill any gaps between the tray and platform. Apply silicone sealant to both open edges. Then fit tray into position making sure the outlet pipe fits neatly into the shower trap.



- 7 |** Ensure silicone sealant is applied between the top edge of tiling lip and wall to provide a watertight seal. It is important the shower tray is level, check the flat surface around the shower area. These should be level regardless of existing floor levels. Drill tiling lip and screw to wall making sure the upstands are at right angles to the tray base.

- 8 |** Make good any plaster work prior to tiling.

- 9 |** **NOTE:** When fitting anti-slip floor covering after the tray has been fitted apply silicone sealant to seal both open edges.