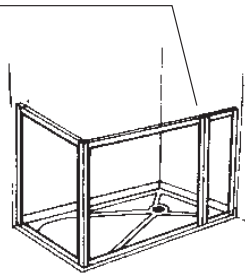
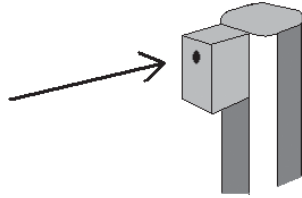


ESSENCE HALF HEIGHT ENCLOSURE FULL HEIGHT POLE FITTING INSTRUCTIONS

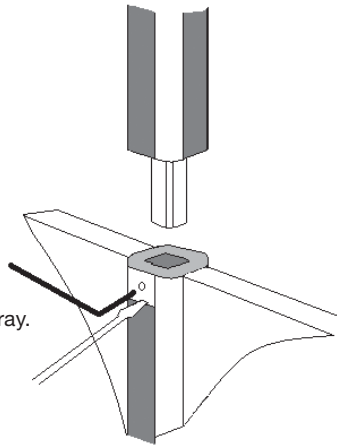
- | 1 | Remove and discard the blanking plug from the top of the installed half height fixed panel.



- | 2 | Remove and keep the screw from the black block at the top end of the pole.

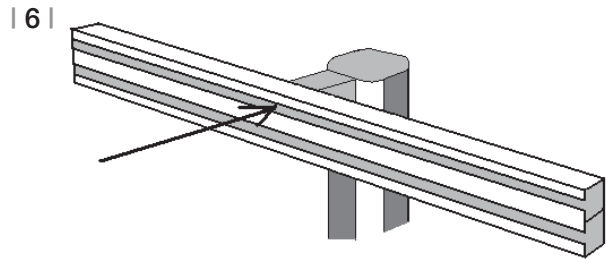


- | 3 | At the top inside face of the fixed panel, using a screwdriver carefully slide the grip cover strip down to reveal a hexagonal grub screw. Check that the hexagonal grub screw is sufficiently loose and then insert the pole into the top of the fixed panel. Ensure that the black block is kept facing into the shower tray.



- | 4 | Check the plumb with a builders level and mark the centre position of the pole on the curtain rail.

- | 5 | Drill a hole using a 3.5mm drill, approximately 7mm from the top edge of the curtain rail to the marked position.



- | 6 | Replace the screw into the hole in the curtain rail through the black block into the pole.

- | 7 | Tighten the hexagonal grub screw and slide the grip cover strip back into place.