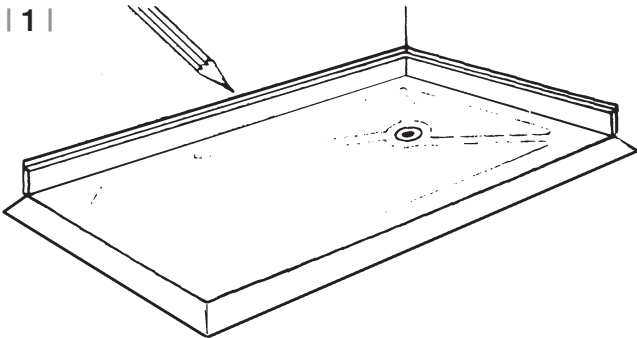


SHOWER TRAY

EASY ACCESS TRAY FITTING INSTRUCTIONS FOR SOLID AND WOODEN FLOOR INSTALLATION

IMPORTANT: Protect shower base from scuffing by using cardboard packaging.

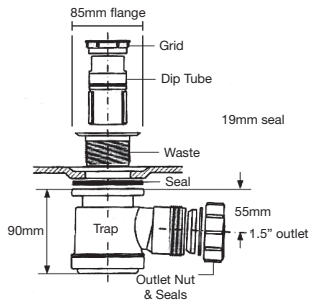
NOTE: This tray type sits on existing floor and only requires opening or excavating for waste outlet.



1 | Place the shower tray in position and mark along the upper edges of the tiling lip on the plaster face. If an anti-slip floor covering is to be used then make an allowance for the thickness. If not, sit both open edges directly on to the floor. Take the shower tray from the wall and remove the plaster below the mark to a depth suitable to take the tiling lip.

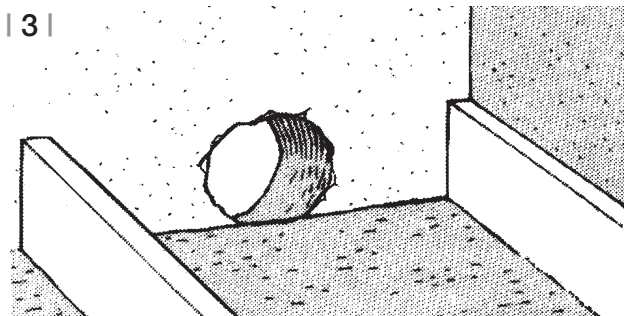
2 | SHOWER TRAP WITH REMOVABLE WASTE

Supplied as standard with all shower trays



Resealing anti-siphon traps with either a 50mm or 80mm water seal can be supplied if required

When fitting to tray assemble trap as shown in diagram making sure to coat trap body and under shower base with neutral silicon sealant above and below flat rubber seal.

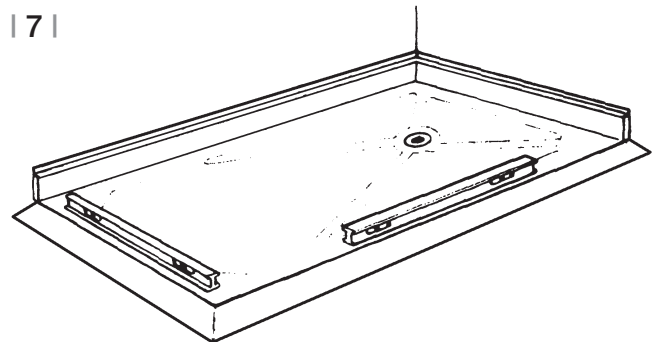


3 | Decide on direction of waste outlet and break-out wall and floor if required. It will be necessary to remove an area under shower trap to a depth of 100mm x diameter of 150mm. Cut out channel in the direction of waste pipe run allowing the waste pipe to connect to the outflow drain.

4 | Make good any damage to damp proof course membrane.

5 | If an anti-slip floor covering is to be used it can be installed before the tray is fitted. Alternatively, it can be installed after the tray is fitted. Before fitting tray into final position, spray expanding foam onto the base area to fill any gaps between the tray and floor base. Apply silicone sealant to both open edges.

6 | When bedding tray into position make sure the outlet pipe fits neatly into the shower trap.



7 | Ensure silicone sealant is applied between the top edge of tiling lip and wall to provide a watertight seal. It is important the shower tray is level, check the flat surface around the shower area. These should be level regardless of existing floor levels. Drill tiling lip and screw to wall making sure the upstands are at right angles to the tray base.

8 | Make good any plaster work prior to tiling.

9 | **NOTE:** When fitting anti-slip floor covering after the tray has been fitted apply silicone sealant to seal both open edges.

Moira Industrial Estate, Old Kilmore Road, Moira, Co. Armagh BT67 0LZ

Tel: +44 (0)28 9261 2500 Fax: +44 (0)28 9261 2326

Email: info@easagroup.com